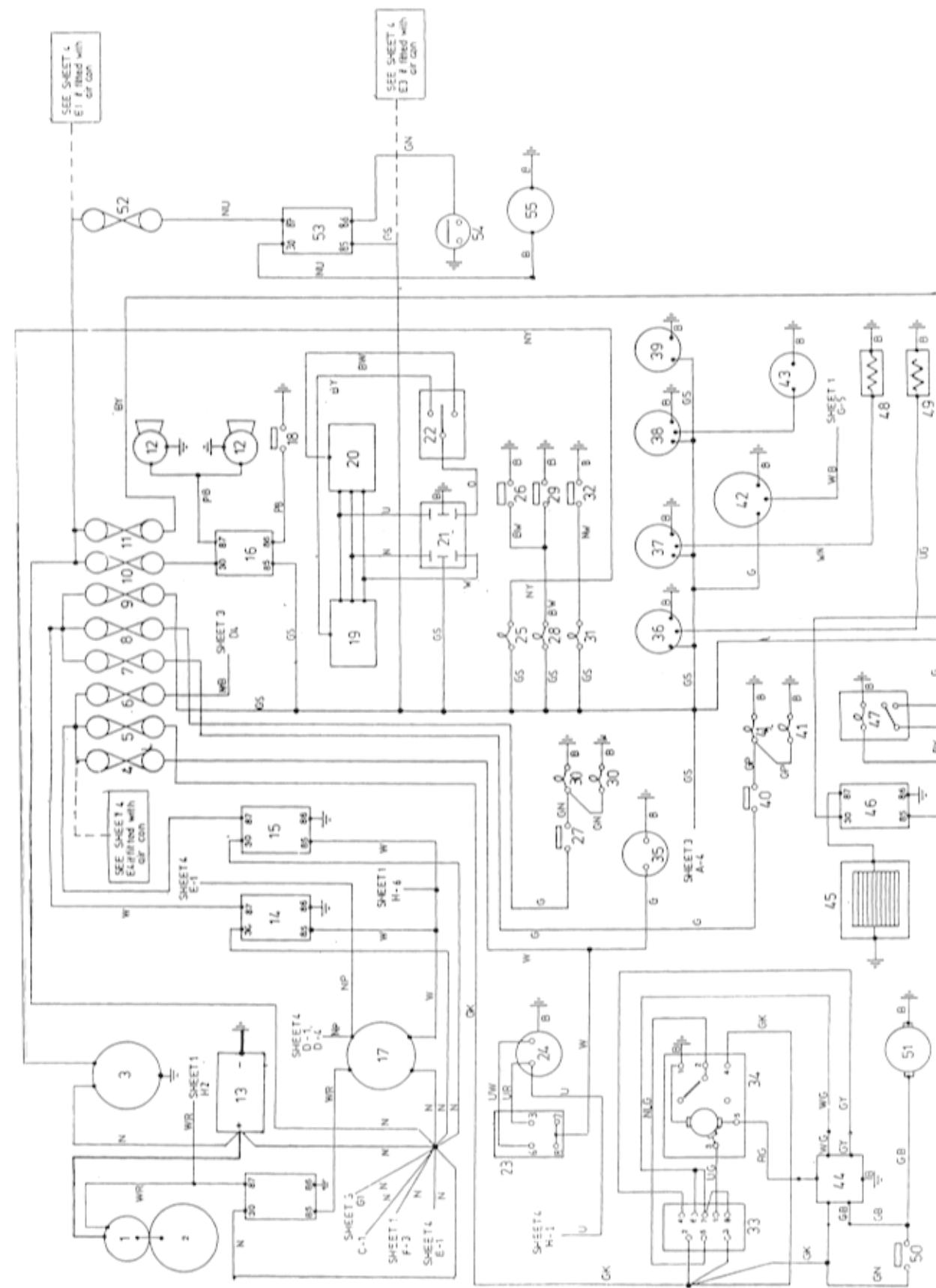
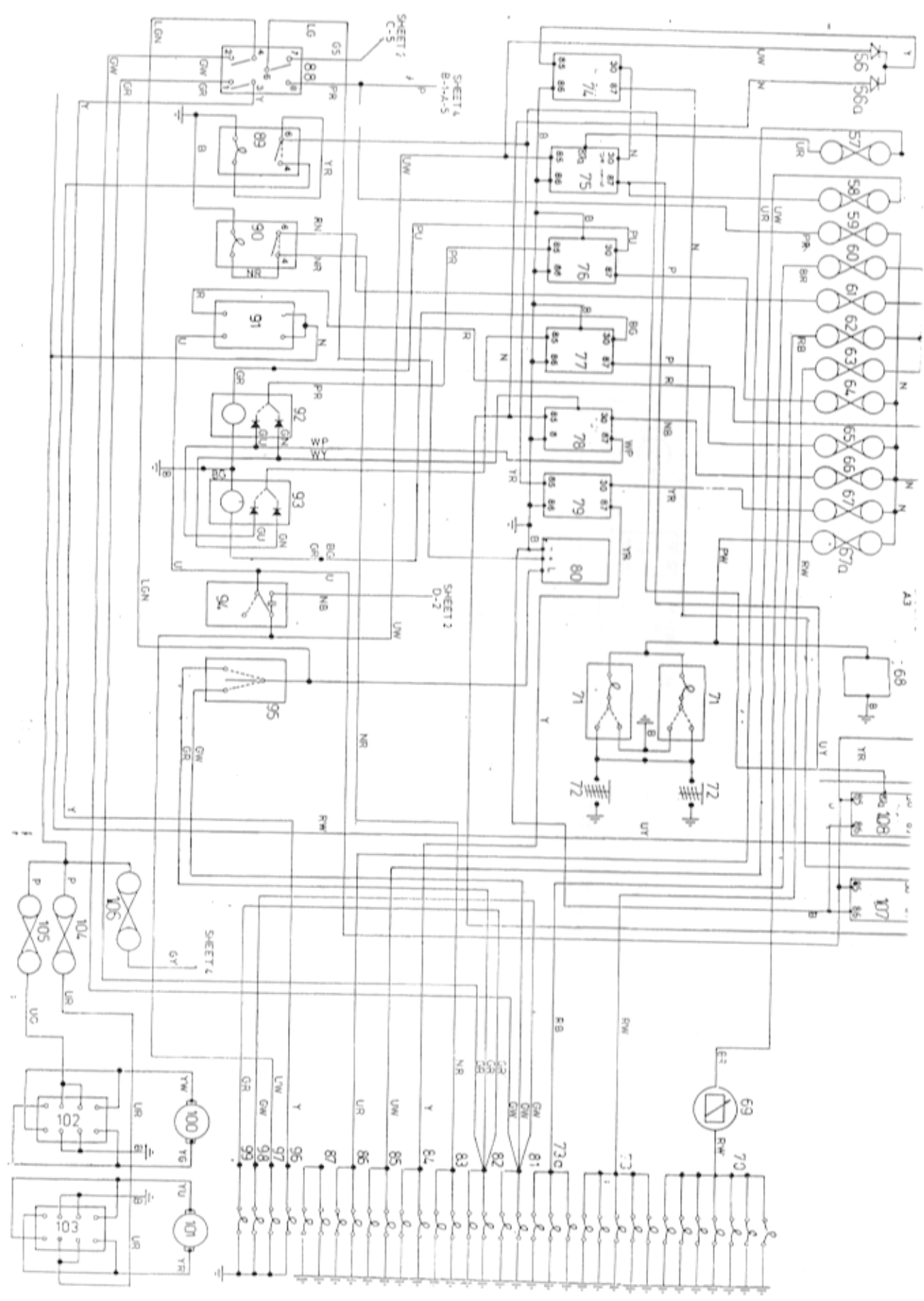


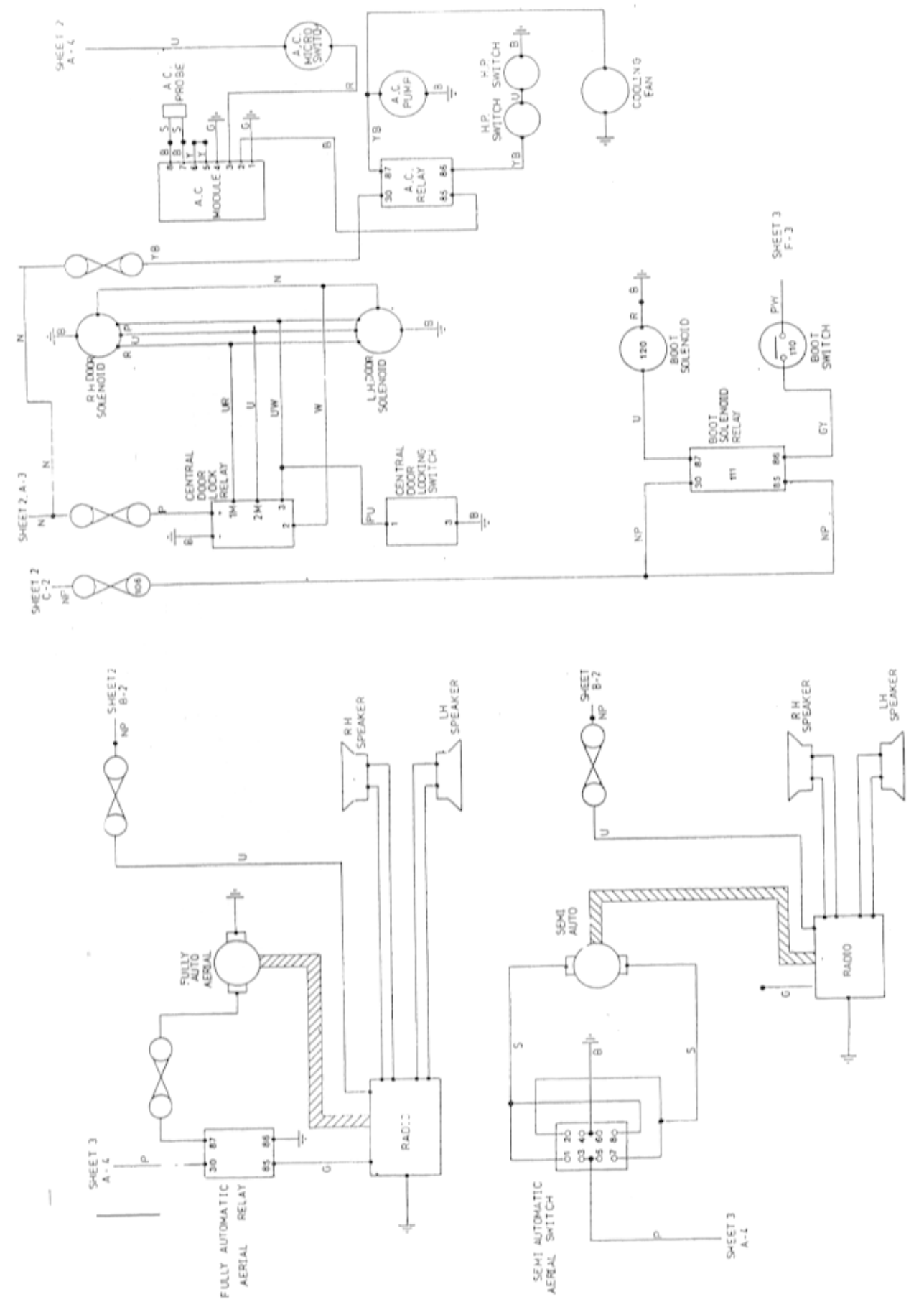
V8S electrics sheet 1 of 4
(courtesy TVR Engineering)



V8S electrics sheet 2 of 4
(courtesy TVR Engineering)



V8S electrics sheet 3 of 4
(courtesy TVR Engineering)



V8S electrics sheet 4 of 4
(courtesy TVR Engineering)

Component listing

This list describes the component numbering for the objects used on these schematics. This list is generic and does not imply that a component listed here was actually used.

1	Starter solenoid.	56a	Diode 2.
2	Starter motor.	57	Headlight dip fuse.
2a	Starter relay.	58	Headlight main beam fuse.
3	Alternator.	59.	Hazard, radio memory fuse.
4	Fan fuse.	60	Clock illumination fuse.
5	Wiper motor and windscreen washer motor fuse.	61	Rear fog fuse.
6	Headlight flash fuse.	62	Left-hand side light fuse.
7	Brake light fuse.	63	Right-hand side light fuse.
8	Reverse light fuse.	64	Left-hand head light motor fuse.
9	Instruments, electric door mirrors, ignition warning light, brake warning; light, oil warning light, horn primary and fan primary relay circuit.	65	Right-hand head light motor fuse.
10	Horn fuse.	66	Headlight control fuse.
11	Heated rear window fuse.	67	Front driving light fuse.
12	Horns.	67a	Interior lights and time clock fuse.
13	Battery.	68	Time clock.
14	Ignition relay 1.	69	Dimmer switch.
15	Ignition relay 2.	70	Dashboard illumination.
16	Horn relay.	71	Interior light(s).
17	Ignition switch.	72	Interior light switch.
18	Horn push switch.	73	Right-hand side lights.
19	Left-hand door mirror.	73a	Left-hand side lights.
20	Right-hand door mirror.	74	Head light relay.
21	Door mirror changeover switch.	75	Headlight relay main/dip beam control.
22	Door mirror changeover switch.	76	Left-hand headlight motor relay.
23	Blower switch.	77	Right-hand headlight motor relay.
24	Blower motor.	78	Headlight control relay.
26	Ignition light.	79	Drive light relay.
28	Hydraulic brake failure switch.	80	Indicator unit.
27	Reverse switch.	81	Right-hand indicators.
28	Brake warning light.	82	Left-hand indicators.
29	Brake switch.	83	Rear fog lights.
30	Reverse lights.	84	Front driving lights.
31	Oil warning light.	85	Main beam lights.
32	Oil pressure switch.	86	Dip beam lights.
33	Wiper wash switch.	87	Lower panel illumination.
34	Wiper motor.	88	Hazard switch.
35	Cigar lighter.	89	Driving light switch.
36	Temperature gauge.	90	Rear fog light switch.
37	Oil pressure gauge.	91	Light switch.
38	Fuel gauge.	92	Left-hand headlight motor.
39	Voltmeter.	93	Right-hand headlight motor.
40	Foot brake switch.	94	Headlight dip/main beam column.
41	Rear brake lights.	95	Indicator switch.
42	Rev counter.	96	Hazard warning lights.
43	Fuel tank sender unit.	97	Main beam warning lights.
44	Delay wash/wipe module.	98	Right-hand indicator warning lights.
45	Heated rear window.	99	Left-hand indicator warning lights.
46	Heated rear window relay.	100	Left-hand window motor.
47	Heated rear window switch.	101	Right-hand window motor.
48	Oil gauge transmitter unit.	102	Left-hand window motor switch.
49	Temperature gauge transmitter unit.	103	Right-hand window motor switch.
50	Wash switch.	104	Right-hand window fuse.
51	Washer motor.	105	Left-hand window fuse.
62	Cooling fan fuse.	106	Boot solenoid fuse.
63a	Cooling fan relay.	107	Headlamp lift relay.
53b	Cooling fan relay.	108	Headlamp flash relay.
54	Cooling fan otter switch.	110	Boot switch.
55	Cooling fan(s).	111	Boot relay.
56	Diode 1.	112	Air conditioning relay.
		113	Air conditioning micro switch.
		114	Air conditioning fuse.
		116	Air conditioning l/p switch.
		116	Air conditioning h/p switch.
		117	Air conditioning pump.
		118	Ignition coil fuse.
		119	Fuel pump fuse.
		120	Boot solenoid.
		121	Auxiliary relay.